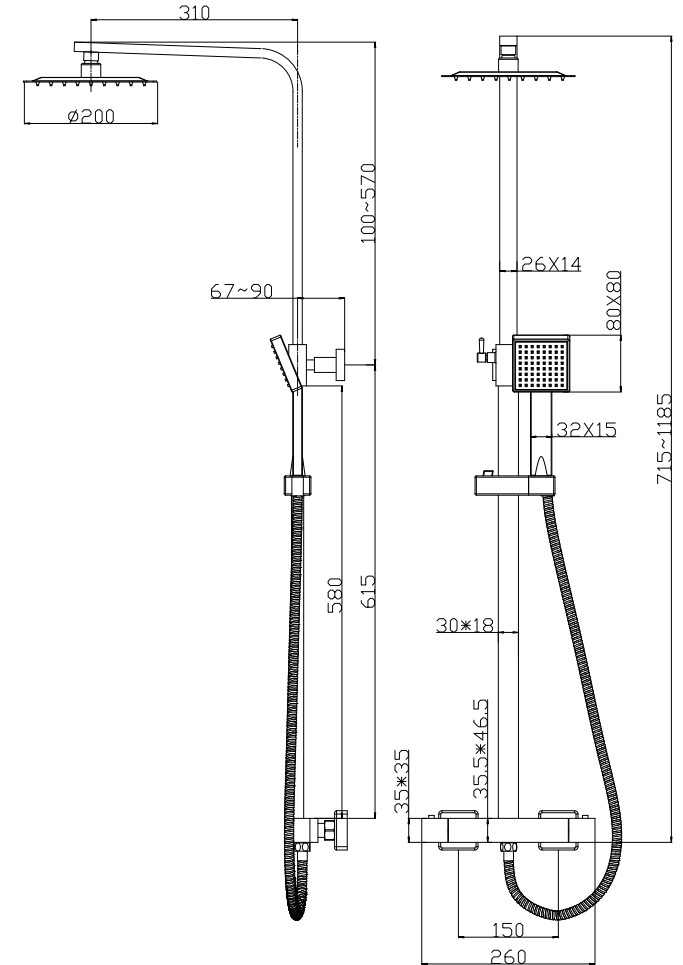


Firm Square Thermostatic Shower - MSSHFISQ

CONSTRUCTION	Brass
FINISHES	Chrome
PRODUCT TYPE	Contemporary
WATER PRESSURE	Min. 0.5 Bar, Max. 6.0 Bar
PLUMBING SYSTEMS	Suitable for All Plumbing Systems, Max. Supply Pressure Differential Requirement No Greater Than 5:1
STANDARDS	Complies with BSEN 1111
CARTRIDGE	On/Off - Alfano Thermostatic - Agua
NET WEIGHT	3.74 Kg
ADDITIONAL INFORMATION	<ul style="list-style-type: none"> • Temperature: Pre-set 38°C, with Push Button Override to 48°C. • Automatic Shut off in the event of Hot or Cold Water Supply Failure. • Shower Head: Chrome, Ø200mm, Stainless Steel • Shower handset : Chrome , single mode, ABS • Shower hose : Chrome, stainless steel , double interlock,1.5m



Flow Rates (Litres per minute)

SYSTEM PRESSURE	0.1 Bar	0.2 Bar	0.3 Bar	0.5 Bar	1.0 Bar	1.5 Bar	2.0 Bar	3.0 Bar	4.0 Bar	5.0 Bar
	2.2	4.8	-	8.1	13.2	-	-	22.6	-	-

The information contained on this page was correct at date of issue. Fitting dimensions are provided as a guide only. Some variation may occur due to manufacturing tolerances. We pursue a policy of continuing improvement in design and performance of our products and so reserve the right to change specifications without prior notice.