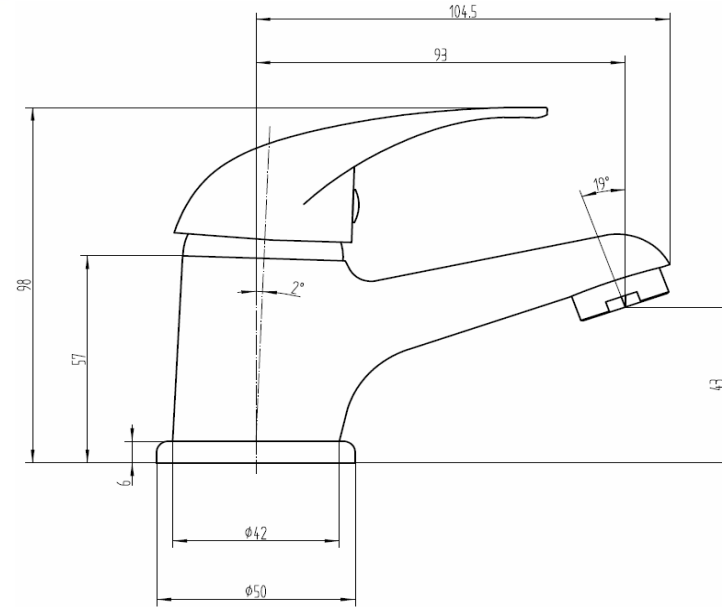


Firm Mini Basin Mono - MSTAF11M



| | |
|-------------------------------|---|
| CONSTRUCTION | Brass Body (CuZn40Pb2), EN CW617N (Equivalent to BS CZ122) Zinc-Alloy Handle |
| FINISHES | Chrome Plated to BS EN 248 |
| PRODUCT TYPE | Contemporary |
| WATER PRESSURE | Min. 0.2 Bar, Max. 5.0 Bar |
| PLUMBING SYSTEMS | Suitable for all Plumbing Systems, Hot and Cold Water Pressure Preferably Balanced; Max. Supply Pressure Differential Requirement No Greater than 5:1 |
| STANDARDS | Complies with BS6920, BS EN200 |
| CARTRIDGE | 35mm Ceramic Disc Cartridge |
| NET WEIGHT | 900g |
| AERATOR | M24*1 Spout Aerator |
| FITTING | M10 x 350mm G1/2" BSP Female Flexi Tails |
| ADDITIONAL INFORMATION | Supplied with G1¼" Sprung Waste |



Flow Rates (Litres per minute)

| SYSTEM PRESSURE | 0.1 Bar | 0.2 Bar | 0.3 Bar | 0.5 Bar | 1.0 Bar | 1.5 Bar | 2.0 Bar | 3.0 Bar | 4.0 Bar | 5.0 Bar |
|-----------------|---------|---------|---------|---------|---------|---------|---------|---------|---------|---------|
| | 1.2 | 3.8 | - | 7.1 | 10.4 | 13.0 | 16.8 | 18.1 | - | - |

The information contained on this page was correct at date of issue. Fitting dimensions are provided as a guide only. Some variation may occur due to manufacturing tolerances. We pursue a policy of continuing improvement in design and performance of our products and so reserve the right to change specifications without prior notice.