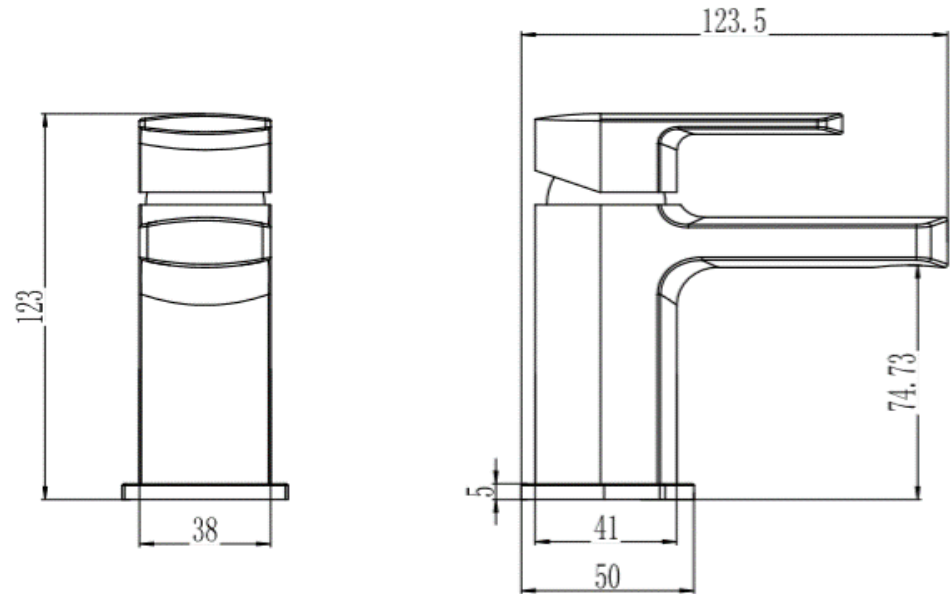


# Enya Mini Basin Mono - MSTAEN1M

<b>CONSTRUCTION</b>	Brass Body (HPb59-1), Equivalent to BS CZ122 / EN CW617N / CuZn40Pb2; Zinc-Alloy Handles & Base Plates
<b>FINISHES</b>	Chrome Plated to BS EN 248
<b>PRODUCT TYPE</b>	Contemporary
<b>WATER PRESSURE</b>	Min. 0.2 Bar, Max. 6.0 Bar
<b>PLUMBING SYSTEMS</b>	Suitable for All Plumbing Systems, Hot and Cold Water Pressure Preferably Balanced Max. Supply Pressure Differential Requirement No Greater Than 5:1
<b>STANDARDS</b>	Complies with BS6920, BS EN200
<b>NET WEIGHT</b>	1.2 Kg
<b>CARTRIDGE</b>	30mm Ceramic Disc Cartridge
<b>FITTING</b>	M10 x 350mm G1/2" BSP Female Flexi Tails
<b>AERATOR</b>	M24*1 ABS Spout Aerator
<b>ADDITIONAL INFORMATION</b>	Supplied with G1¼" Sprung Waste



**Flow Rates** (Litres per minute)

SYSTEM PRESSURE	0.1 Bar	0.2 Bar	0.3 Bar	0.5 Bar	1.0 Bar	1.5 Bar	2.0 Bar	3.0 Bar	4.0 Bar	5.0 Bar
	-	4.4	-	6.7	9.5	11.7	13.7	16.5	-	-

The information contained on this page was correct at date of issue. Fitting dimensions are provided as a guide only. Some variation may occur due to manufacturing tolerances. We pursue a policy of continuing improvement in design and performance of our products and so reserve the right to change specifications without prior notice.