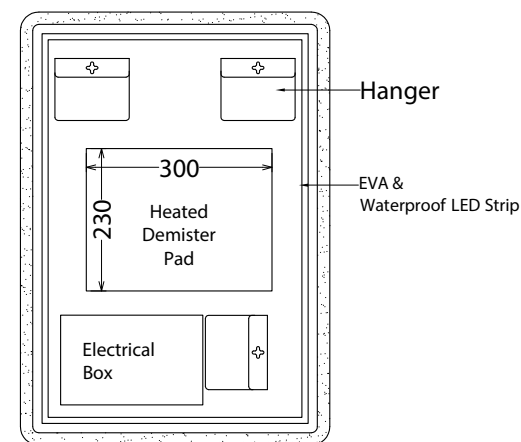
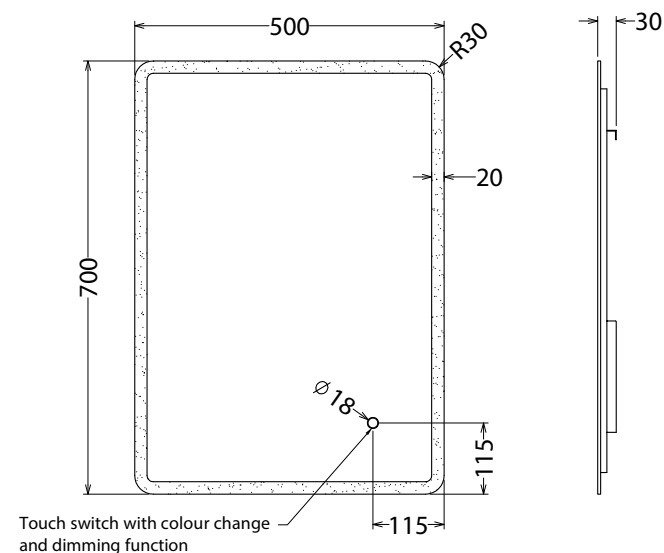
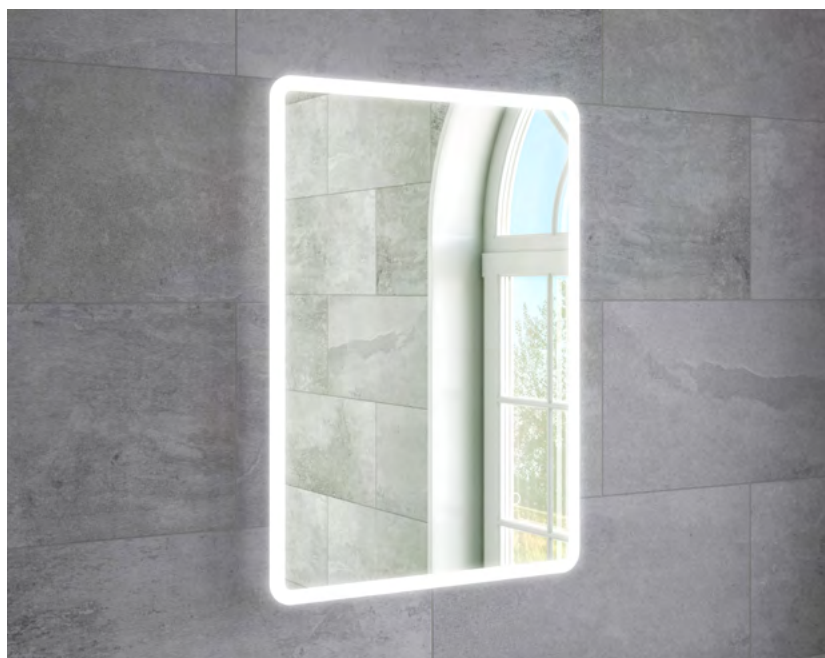


# Jax 50 LED Mirror - MSMIJAX50

<b>RANGE</b>	JAX
<b>SIZE (MM)</b>	H 700 X W 500 x D 30
<b>NET WEIGHT</b>	6 Kg
<b>FEATURES</b>	<ul style="list-style-type: none"> <li>• LED Mirror</li> <li>• Touch Switch with Colour Change and Dimming Function</li> <li>• Heated Demister Pad</li> <li>• IP44</li> </ul>



The information contained on this page was correct at date of issue. Fitting dimensions are provided as a guide only. Some variation may occur due to manufacturing tolerances. We pursue a policy of continuing improvement in design and performance of our products and so reserve the right to change specifications without prior notice.