

# APZ13-DOUBLE9-750 Fit and Go

## Shower drain

### Application

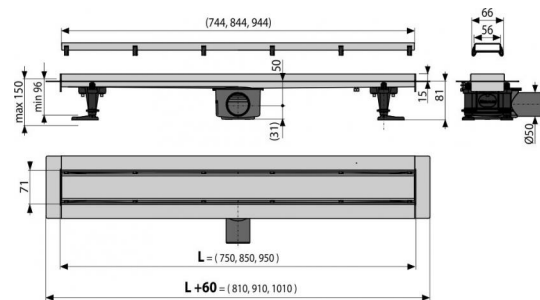
For wheelchair access  
 For drainage of floor-level showers  
 For installation into open spaces or near the wall of the shower area  
 For indoor use

### Features

- Shower drain material: stainless steel 1.5 mm, AISI 304, DIN 1.4301
- Shower drain made from one piece of stainless steel sheet
- Linear drain from stainless steel (hardened by pickling, passivation and electrochemical polishing)
- Self-adhesive tape for quality waterproofing
- Gradient of inner part of the shower drain body
- The shower drain body is protected by the polystyrene insert
- Adjustable height
- 25 years guarantee

### Scope of supply

- Dismantling hook
- Fixation set for attaching adjustable legs: screw 4.2x38 – 4 pcs, anchor – 4 pcs
- Comb for applying glue into the grid frame
- Installation channel cover
- Combined odour trap SMART
- Adjustable feet 4 pcs
- Two-sided grid DOUBLE (full grid or grid for embedding tiles)
- Protective foil covering for the drain edges and odour trap
- Self-adhesive waterproofing tape
- Trap for shower drain APZ-S9
- Linear shower drain



### Order number, Logistic information

Code	EAN	Weight (kus   packing   palett)	Dimensions (piece   packing)	Quantity (packing   palett)
APZ13-DOUBLE9-750	8595580562724	9 mm 3,1385   94,1550   0,0000 kg	857x147x100   880x780x410 mm	20   60 pcs

**Guarantee** 2/25 years  
**Customs code** 39229000

### Technical specifications

- Load class K3 300 kg