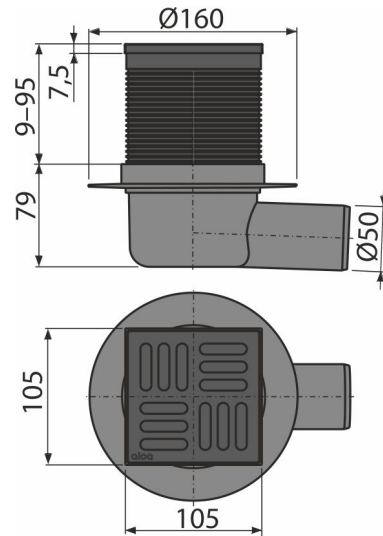


APV31BLACK

Floor drain 105×105/50 mm side outlet, stainless steel grid black-matt, combined odour trap SMART



Application

For wheelchair access
 For drainage of floor level showers
 For the interior, where it is not expected to regularly use the drain (laundry, boiler rooms, cellars)

Features

- Color: black-matt
- Side connection to waste Ø50 mm
- Insulation collar for connection to waterproofing of the building
- Combined odour trap SMART
- Compatibility with floor drains parts including wet, dry and combined odour trap SMART
- Material: stainless steel AISI 304, DIN 1.4301
- Material: polypropylene resistant to mechanical, chemical and thermal damage
- Stainless steel grid 102×102×5 mm
- Water column and mechanical flap effectively prevent the penetration of odours from the sewer
- Height adjustable throat 9–95 mm

Scope of supply

- Design stainless steel grid
- Floor drain throat 105×105 mm
- Combined odour trap SMART
- Seal kit
- Floor drain body Ø50 mm, side outlet

Order number, Logistic information

Code	EAN	Weight (piece packing palett)	Dimensions (piece packing)	Quantity (packing palett)
APV31BLACK	8595580574895	0,46 9,26 168,2 kg	160×160×88 590×430×390 mm	20 320 pcs

Warranty	Customs code	Norms
2/6 years *	39269097	EN 1253

Technical specifications

- Total installation height 88-174 mm
- Waste pipe diameter 50 mm
- Flow of the inlet grid 37 l/min
- Load class K3 300 kg
- Odour trap 30 mm